

OPTIONS

◇ BATTERY PACKS

- **BP-278/BP-279/BP-280** BATTERY PACK

Battery pack	Voltage	Capacity	Battery life*	
BP-278	7.2 V	1130 mAh (minimum) 1190 mAh (typical)	VHF	10 hours
			UHF	10 hours
BP-279	7.2 V	1485 mAh (minimum) 1570 mAh (typical)	VHF	14 hours
			UHF	14 hours
BP-280	7.2 V	2280 mAh (minimum) 2400 mAh (typical)	VHF	20 hours
			UHF	20 hours

* When the power save function is turned ON, and the operating periods are calculated under the following conditions.

TX : RX : standby = 5 : 5 : 90

◇ CHARGERS

- **BC-213** DESKTOP CHARGER + **BC-123S** AC ADAPTER
To rapid charge a single battery pack.
- **BC-214** MULTI CHARGER + **BC-157S** AC ADAPTER
To rapid charge up to 6 battery packs.

◇ DC CABLES

- **CP-23L** CIGARETTE LIGHTER CABLE
Use when charging the battery pack from a 12 V cigarette lighter socket. (Use with the BC-213)
- **OPC-656** DC POWER CABLE
Use with a 13.8 V power source instead of the power adapter. (Use with the BC-214)

◇ ANTENNAS

- **FA-SC25V/FA-SC55V/FA-SC62V/FA-SC63V**
VHF ANTENNAS
FA-SC25V: 136 ~ 150 MHz
FA-SC55V: 150 ~ 174 MHz
FA-SC62V: 150 ~ 160 MHz
FA-SC63V: 155 ~ 165 MHz
- **FA-SC26VS/FA-SC27VS/FA-SC56VS/FA-SC57VS**
VHF STUBBY ANTENNAS
FA-SC26VS: 136 ~ 144 MHz
FA-SC27VS: 142 ~ 150 MHz
FA-SC56VS: 150 ~ 162 MHz
FA-SC57VS: 160 ~ 174 MHz
- **FA-SC61VC** VHF CUT ANTENNA
FA-SC61VC: 136 ~ 174 MHz
- **FA-SC25U/FA-SC57U/FA-SC72U/FA-SC73US**
UHF ANTENNAS
FA-SC25U: 400 ~ 430 MHz
FA-SC57U: 430 ~ 470 MHz
FA-SC72U: 470 ~ 520 MHz
FA-SC73US: 450 ~ 490 MHz
- **FA-SC26US** UHF STUBBY ANTENNA
FA-SC26US: 400 ~ 450 MHz

- **FA-SC01U/FA-SC02U** UHF ANTENNA
FA-SC01U: 350 ~ 400 MHz
FA-SC02U: 330 ~ 380 MHz
- **FA-SC61UC** UHF CUT ANTENNA
FA-SC61UC: 380 ~ 520 MHz

◇ OTHERS

- **MB-130** MOBILE BRACKET
Mounts the BC-213 DESKTOP CHARGER on a variety of places in a vehicle.
- **MB-133** BELT CLIP
- **HM-158LA/HM-159LA/HM-168LWP**
SPEAKER MICROPHONE
Combination speaker-microphone that provides convenient operation while the transceiver is hanging on your belt.
① Adjust the microphone gain before use.
- **HM-153LA/HM-166LA** EARPHONE-MICROPHONE
Ideal for hands-free operation. Clip the **HM-153LA** or **HM-166LA** (with integrated PTT switch) to your lapel or breast pocket.
① Adjust the microphone gain before use.
- **HS-94/HS-95/HS-97** HEADSET
+ **VS-4LA** PTT SWITCH CABLE
/ **OPC-2004LA** ADAPTER CABLE
HS-94: Ear-hook type
HS-95: Neck-arm type
HS-97: Throat microphone
VS-4LA: To connect to headsets
OPC-2004LA: To connect to headsets for VOX operation
① Adjust the both microphone and VOX gain before use.
- **HS-94LWP/HS-95LWP** HEADSET
HS-94LWP: Ear-hook type
HS-95LWP: Neck-arm type
① Adjust the both microphone and VOX gain before use.

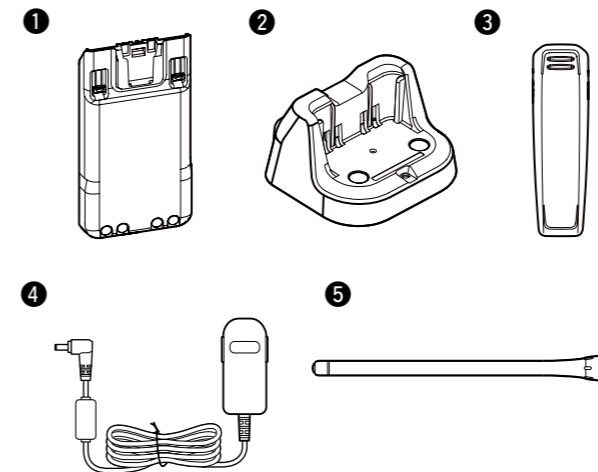
Some options may not be available in some countries. Ask your dealer for details.

Icom, Icom Inc. and the Icom logo are registered trademarks of Icom Incorporated (Japan) in Japan, the United States, the United Kingdom, Germany, France, Spain, Russia, and/or other countries.
All other products or brands are registered trademarks or trademarks of their respective holders.

VHF TRANSCEIVER IC-F1000 series UHF TRANSCEIVER IC-F2000 series

Thank you for choosing this Icom product.
READ ALL INSTRUCTIONS carefully and completely before using this product.

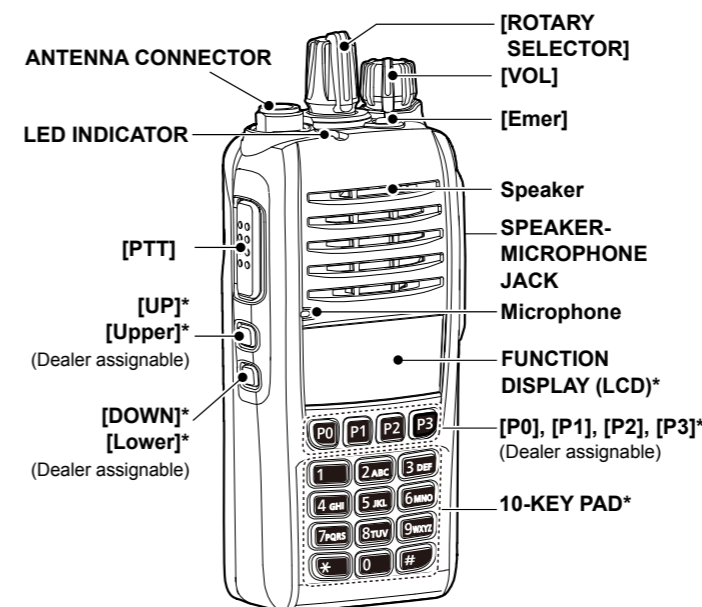
SUPPLIED ACCESSORIES



- 1 Battery pack
- 2 Battery charger
- 3 Belt clip
- 4 Power adapter (for the battery charger)
- 5 Flexible antenna

NOTE: Not supplied, or the shape is different depending on the transceiver version.

PANEL DESCRIPTION



The illustration is for the 10-key type transceivers.

There are 3 types of transceivers in the IC-F1000 and IC-F2000 series.

- IC-F1000/F2000:** Non-display type (Basic type)
- IC-F1000S/F2000S:** Simple type (4-key type)
[LCD + 4 keys (P0 ~ P3)]
- IC-F1000T/F2000T:** 10-key type
[LCD + 4 keys + 10-key Pad]

◇ About the LED Indicator

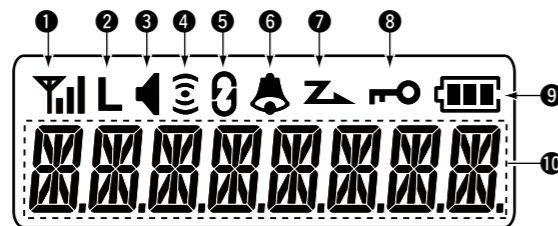
- Lights red while transmitting.
- Lights green while receiving a signal, or when the squelch is open.
- Lights or blinks orange when the matching 2-Tone or 5-Tone is received, depending on the presetting.
- You should charge the battery when the indicator slowly blinks green.
- You must charge the battery when the indicator blinks green fast.

◇ About the Speaker microphone jack

CAUTION: Only when the jack cover or the optional HM-168LWP, HS-94LWP, or HS-95LWP is attached, the transceiver meets IP67 requirements for dust-tight and waterproof protection.

* Depending on the transceiver version.

FUNCTION DISPLAY



1 SIGNAL STRENGTH INDICATOR

Displays the relative receive signal strength level.

2 LOW POWER ICON

Displayed when low output power is selected.

① When the battery charge decreases to a set level, low power is automatically selected.

3 AUDIBLE ICON

Displayed when the channel is in the Audible (unmuted) mode.

Displayed when a matching 2-Tone or 5-Tone is received.

4 COMPANDER ICON

Displayed when the Compander function is ON.

5 SCRAMBLER ICON

Displayed when the Voice Scrambler function is ON.

6 BELL ICON

Displayed or blinks when a matching 2-Tone or 5-Tone is received, depending on the presetting.

7 SCAN ICON

Displayed or blinks while scanning.

8 KEY LOCK ICON

Displayed when the Key Lock function is ON.

9 BATTERY INDICATOR

Displays the remaining battery charge.

Blinks when the battery charge decreases to a set level.

10 ALPHANUMERIC READOUT

Displays messages such as channel text.

BATTERY CHARGING

◆ Rapid charging the supplied BC-213

The BC-213 DESKTOP CHARGER rapidly charges the Li-ion battery pack.

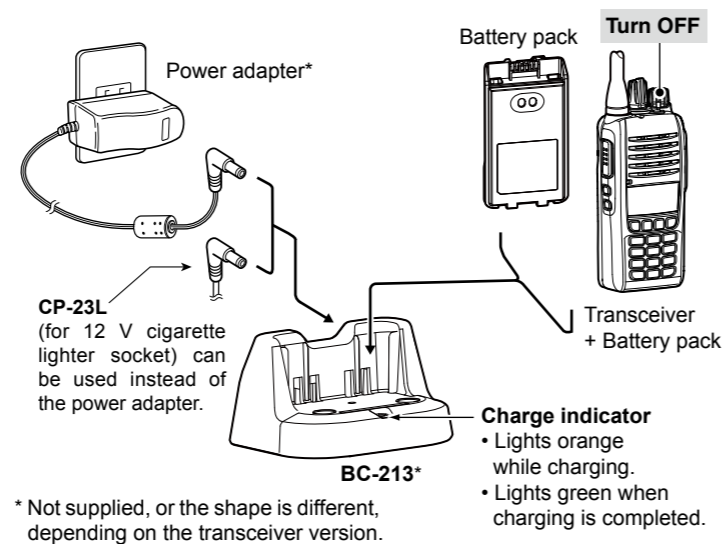
The BC-213 is used with a power adapter or the CP-23L CIGARETTE LIGHTER CABLE (purchase separately).

• Charging time of the BP-279

Approximately 2 to 3 hours

CAUTION: STOP charging, if the charge indicator lights orange and green alternately.

NOTE: Charge the battery within the specified temperature range of +10°C ~ +40°C (+50°F ~ +104°F). Otherwise, the charging time will be longer, but the battery will not reach a full charge. While charging, at a point after the temperature goes out of the specified range, the charging will automatically stop.



◆ Rapid charging the BC-214

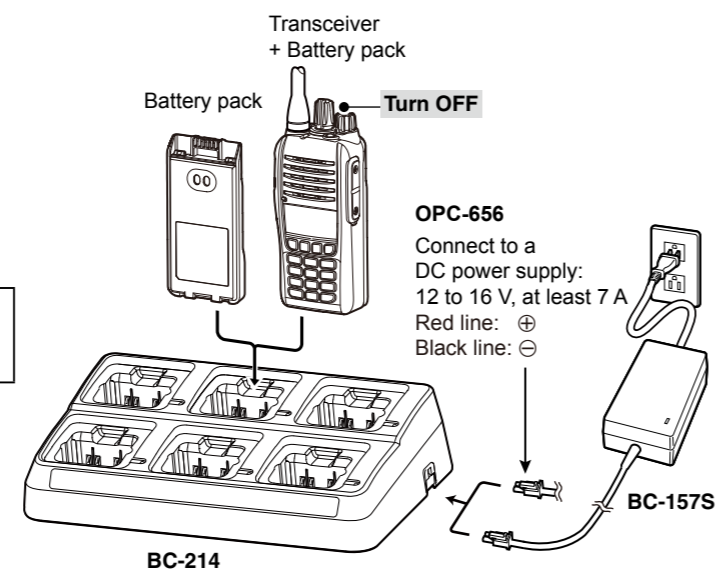
The BC-214 MULTI CHARGER (purchase separately) can simultaneously charge up to 6 Li-ion battery packs.

The BC-214 is used with BC-157S AC ADAPTER (purchase separately) or the OPC-656 DC POWER CABLE (purchase separately).

• Charging time of the BP-279

Approximately 2 to 3 hours

TIP: For more information about Icom accessories, please read the "OPTIONS" printed on the reverse side of this instruction sheet.

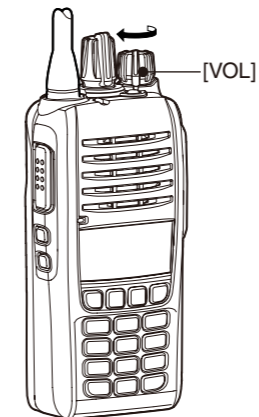


BASIC OPERATION

◆ Turning ON the transceiver

NOTE: Before using the transceiver for the first time, the battery pack must be fully charged for optimum life and operation. See the instructions on page 2.

Rotate [VOL] to turn ON the transceiver.



◆ Receiving and Transmitting

CAUTION: DO NOT transmit before attaching an antenna. Transmitting without an antenna may damage the transceiver.

Receiving:

1. Rotate [ROTARY SELECTOR], or push one of the memory channel keys, [MR-CH 1] ~ [MR-CH 4], to select a channel.
2. When receiving a call, adjust the audio output level to a comfortable listening level.

Transmitting:

1. Wait until the channel is clear to avoid interference.
2. While holding down [PTT], speak at your normal voice level.
3. Release [PTT] to receive.

IMPORTANT:

To maximize the readability of your signal:

1. After pushing [PTT], pause briefly before you start speaking.
2. Hold the microphone 5 ~ 10 cm (2 ~ 4 inches) from your mouth, then speak at your normal voice level.